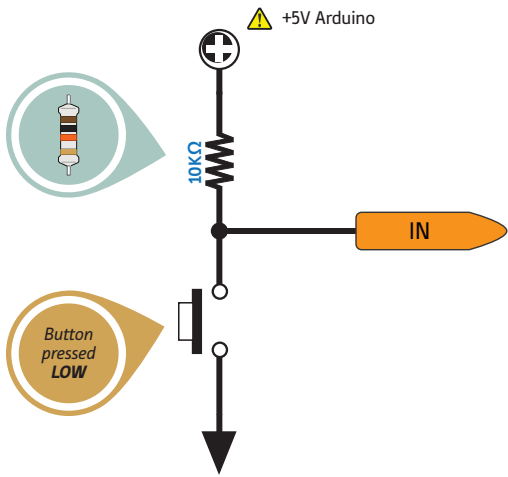
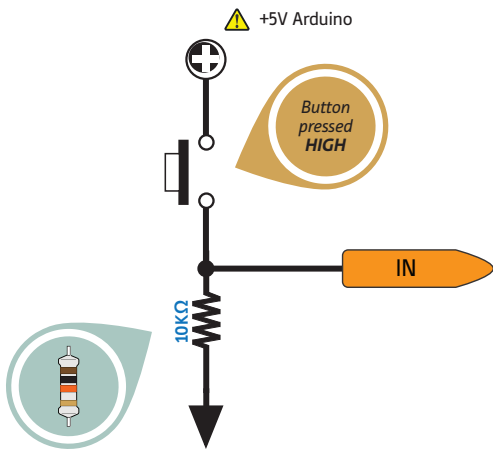


Pushbutton to GND

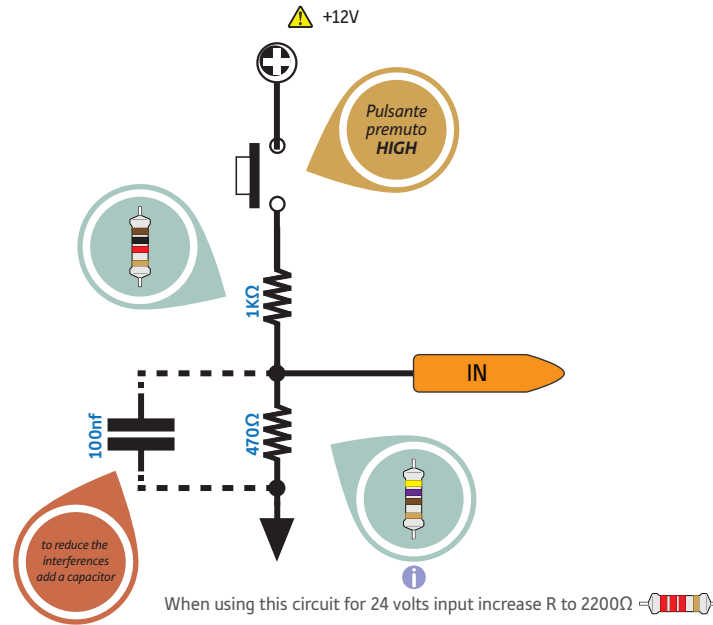


Pushbutton to 5V



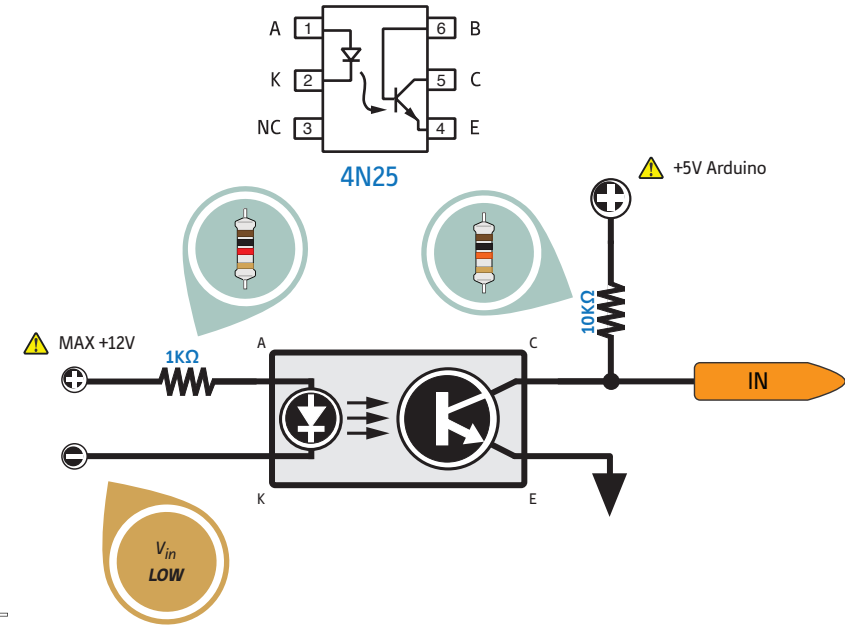
Pushbutton to 12V

Should you need to connect Arduino inputs to a DC voltage higher than 5V

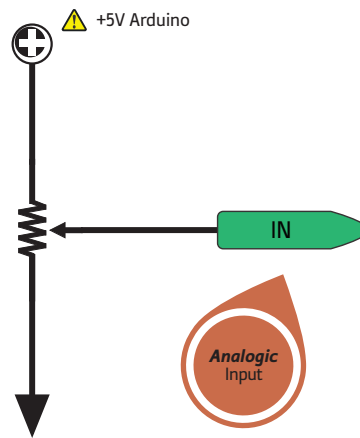


Optocoupled inputs

Used when galvanic separation between external circuitry and Arduino circuit is required



Trimmer or potentiometer



Photoresistor

