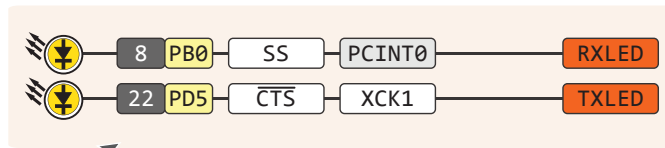
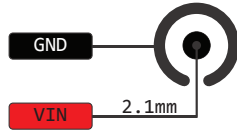




THE \$9 ARDUINO COMPATIBLE BOARD PINOUT DIAGRAM

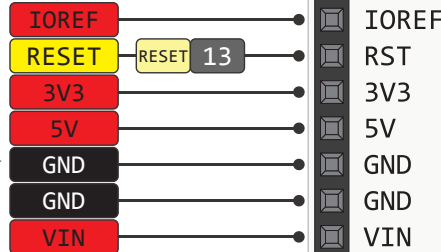
i 7-12V Depending on current drawn



- GND
- Power
- Control
- Physical Pin
- Port Pin
- Pin Function
- Digital Pin
- Analog Related Pin
- PWM Pin
- Serial Pin
- IDE

This provides a Logic reference voltage for shields that use it. It is connected to the 5V bus.

i Not Connected

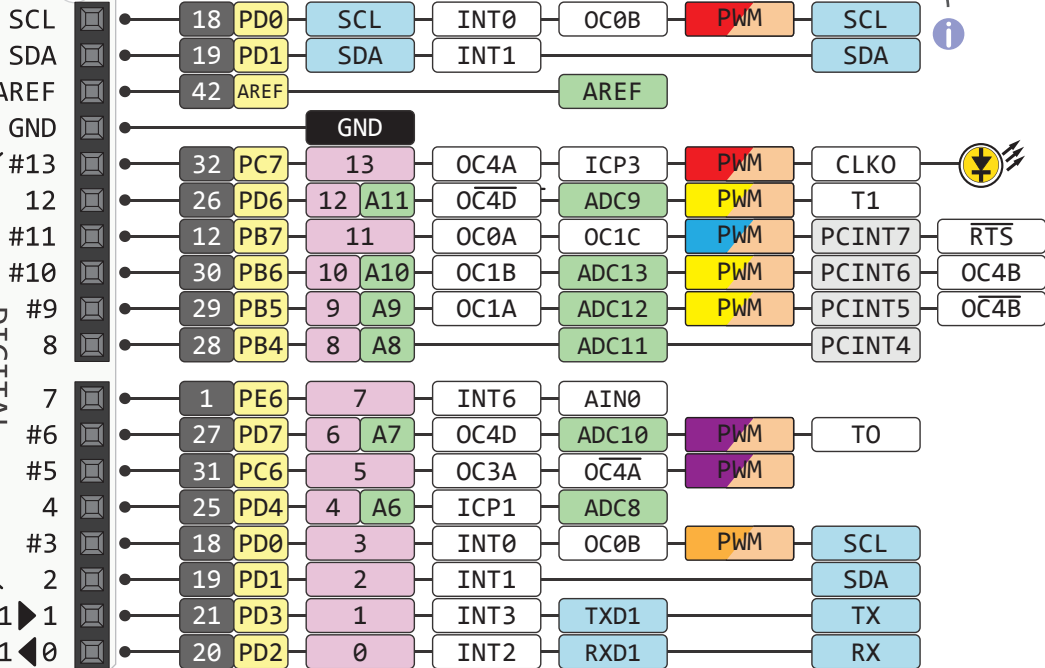


The input voltage to the board when it is running from external power. Not USB bus power.

www.borderlesselectronics.org



DIGITAL (#=PWM)



- !** Absolute max per pin 40mA recommended 20mA
- STOP** Absolute max 200mA for entire package

SCL same as Pin3
SDA same as Pin2

i



- PWM type**
- PWM 10bit
 - PWM 8/16bit
 - PWM 16bit
 - PWM HS
 - PWM 8bit

